

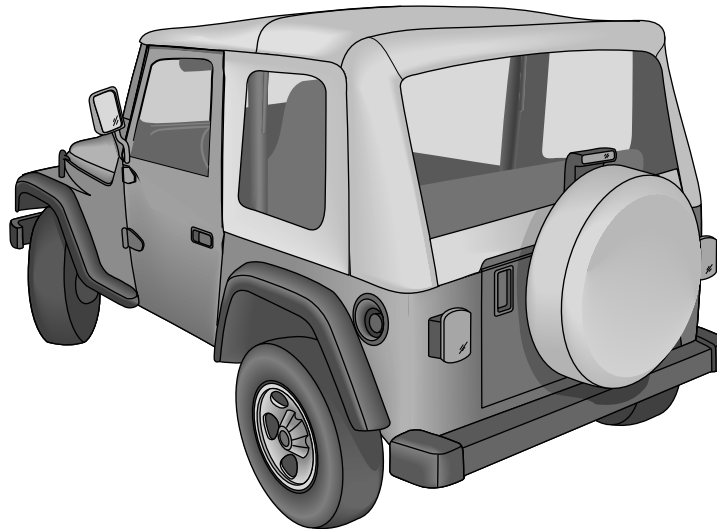


www.pavement-ends.com

Flip Top Installation Instructions

For: Wrangler TJ

Part Number: 44527



WARNING

This product is designed to enhance the appearance of the vehicle and to shield the occupants from ordinary weather conditions. Do not rely in any way on the components of this product to contain occupants within the vehicle, or to protect against injury or death in the event of an accident. This top will not protect the occupants from falling objects. Never operate vehicle in excess of manufacturer's specifications.

WEAR SEAT BELTS AT ALL TIMES

Read and follow, precisely, all installation instructions provided when installing top. Failure to do so may result in a poor fitting top and could place occupants of the vehicle in a potentially dangerous situation. After installing or reinstalling the top, check to make sure it has been properly installed.

Installation Tips

After completing the installation, keep these instructions for future reference. Before you begin installing this product, read all instructions thoroughly. Below are a few tips to make this installation easier.


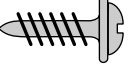



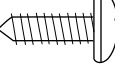

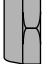

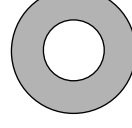
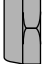

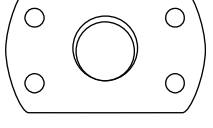
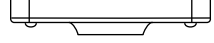


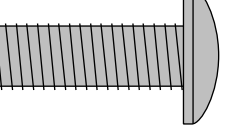
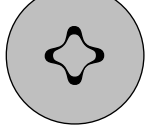
For a smooth fit:

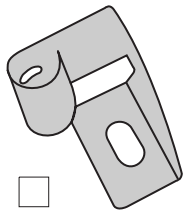
For ease in installation, this product should be installed at temperatures above 72°F. Below this temperature, the fabric may contract an inch or more, making it difficult to fit to the vehicle.

It is normal for the fabric to contract and wrinkle when stored in the shipping carton. Within a few days after the installation, the fabric will relax and the wrinkles will disappear.

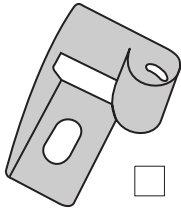
Parts List and Hardware Identification

Top Fabric	Qty - 1
Quarter Window, Rt.	Qty -1
Quarter Window, Lt.	Qty -1
Rear Window	Qty -1
Windshield Header Trim	Qty -1

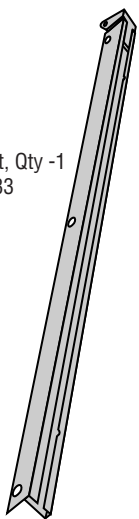
	#8 x 1/2" Pan head Washer Screw - Black Qty - 4, Part Number 200.48		
	#10-15/16 Bolt, Qty - 2, Part Number 326.85		
	#10 x 1/2" Pan Head Sheet Metal Screw, Qty - 4, Part Number 1.92		
	5/16" Black Washer, Qty-6 Part Number 233.04		
	Lock Nut, Qty - 2, Part Number 316.94		
	5/16-18 Tapping Plate, Qty - 6, Part Number 200.50		
	5/16-18 x 1" Phillips Head Bolt, Qty - 6, Part Number 236.20		



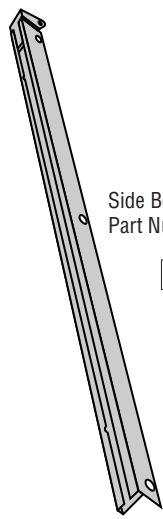
Windshield Bracket - Left, Qty - 1,
Part Number 380.97



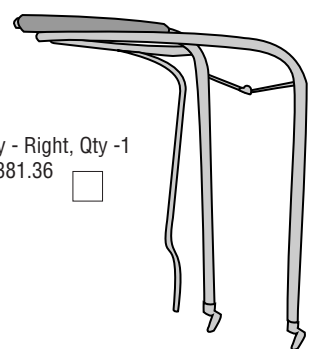
Windshield Bracket - Right, Qty - 1,
Part Number 380.96



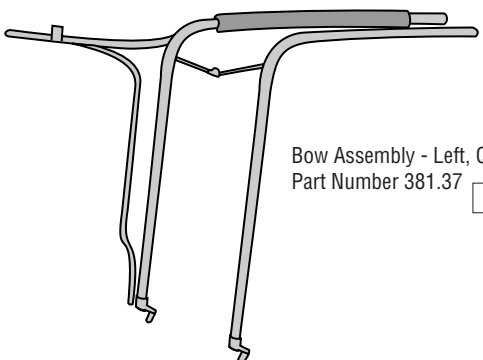
Side Belt Rail - Left, Qty -1
Part Number 381.33



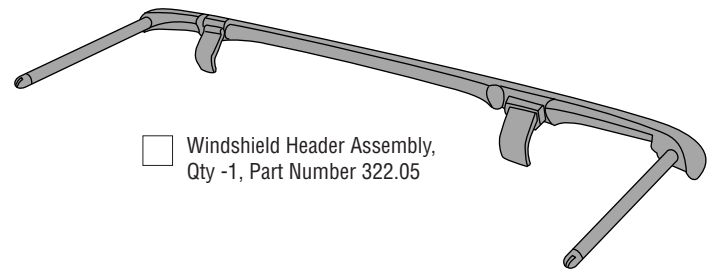
Side Belt Rail - Right, Qty -1
Part Number 381.32



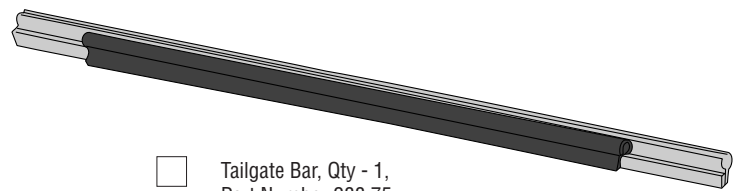
Bow Assembly - Right, Qty -1
Part Number 381.36



Bow Assembly - Left, Qty -1
Part Number 381.37



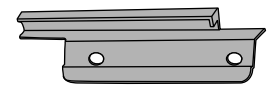
Windshield Header Assembly,
Qty -1, Part Number 322.05



Tailgate Bar, Qty - 1,
Part Number 288.75



Tailgate Retainer Mount, Left
Qty -1, Part Number 311.85



Tailgate Retainer Mount, Right
Qty -1, Part Number 311.86

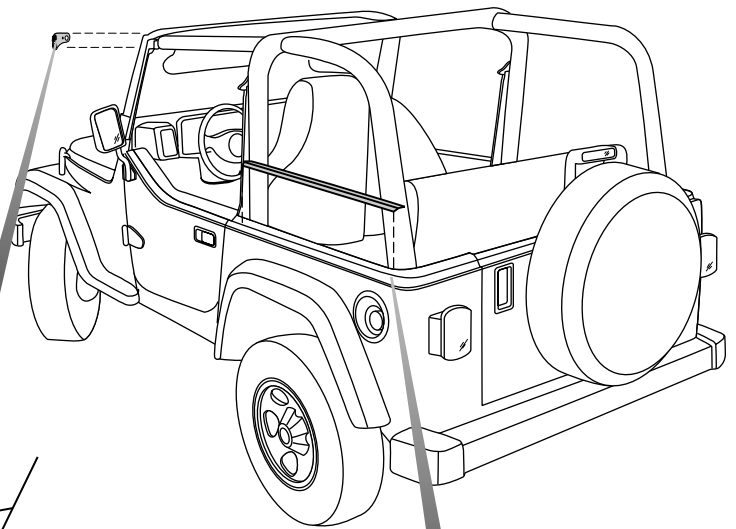
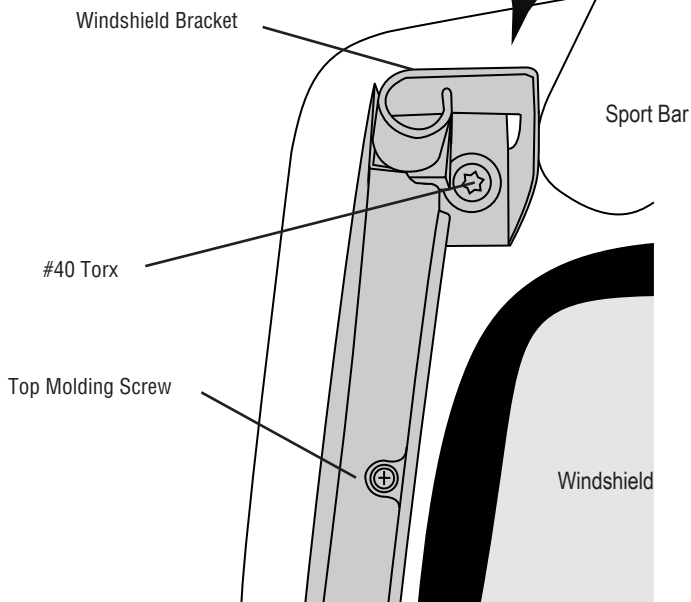
Tools Needed- Wrangler

1/8" Drill Bit
and Drill Motor
Center Punch
Pencil
#35 Torx
#40 Torx

Phillips Screwdriver
Hammer
Adjustable Wrench
Ratchet
Flat Screwdriver

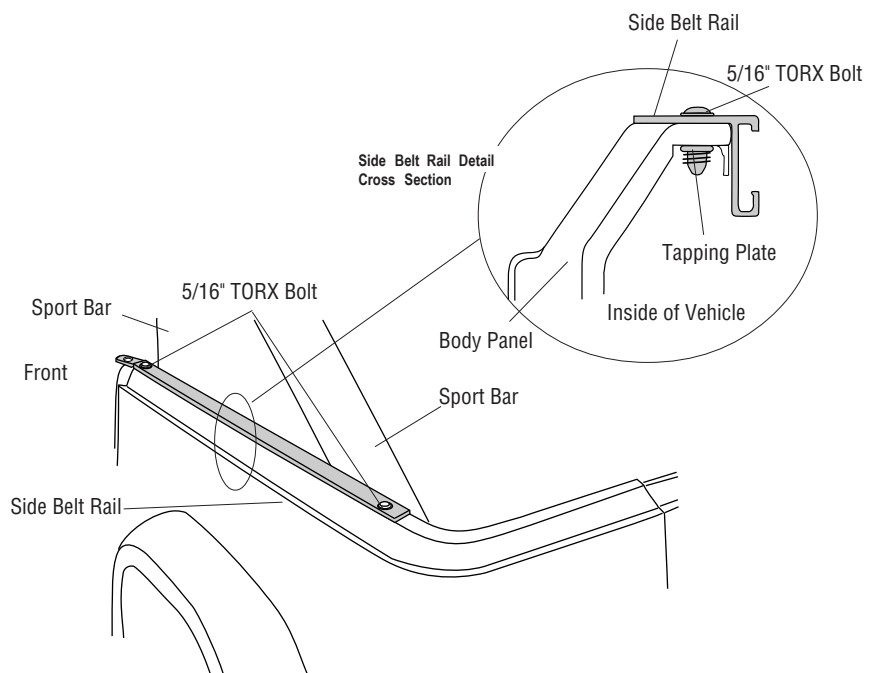
Step One

Loosen the top screw on the A Pillar Molding. With a #40 Torx Driver, remove the outboard bolt that attaches the Sport Bar to the Windshield. Slide the Windshield Bracket behind the A Pillar Molding and fasten the bracket to the Windshield with the bolt you removed. Re-tighten the top Molding screw.



Step Two

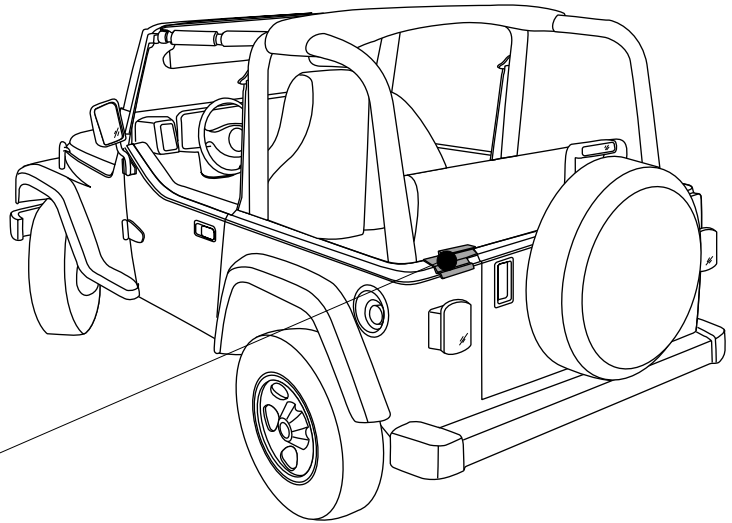
Install the Left and Right Side Belt Rails on each side of the Vehicle. Use the existing holes, three 5/16" TORX Bolts and three Tapping Plates on each side. Use a #35 TORX Socket to install the TORX Bolts.



Step Three

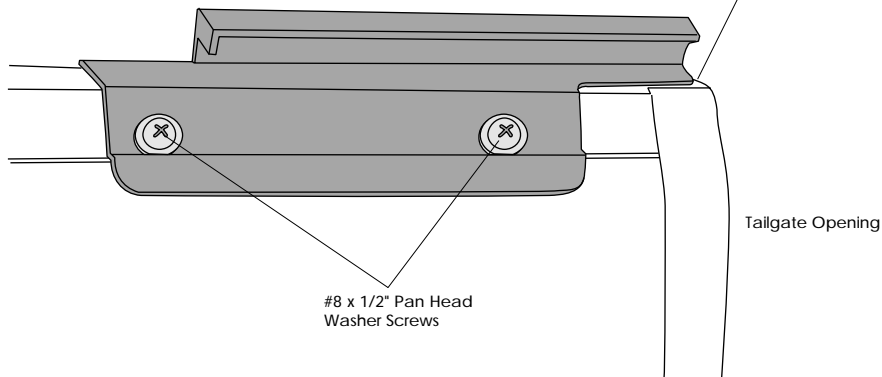
Locate the left and right Tailgate Retainer Mounts. Place the mounts flush with the edge of the tailgate opening. Install the Tailgate Retainer Mounts with two #8 x 1/2" Pan Head Washer Screws for each mount.

If your vehicle does not have holes at this location, align the Tailgate Retainer Mounts flush with the edge of the tailgate opening. Then mark the locations of the holes in the mounts, center punch and drill a 1/8" hole at the marked locations. Install the mounts with two #8 x 1/2" Pan Head Washer Screws for each mount.



Tailgate Retainer Mount (Left)

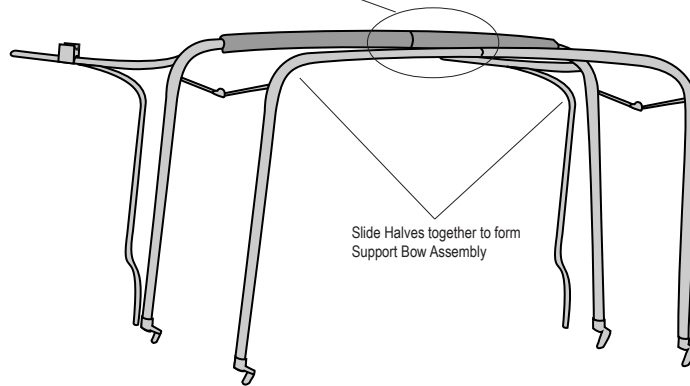
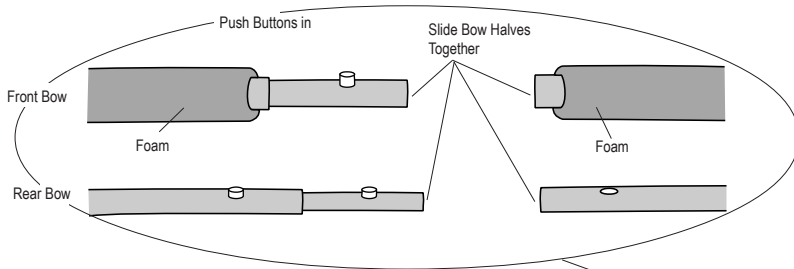
Place Tailgate Mount flush with edge of opening



Step Four

Assemble the two halves of the support bow. Orient the two pieces to each other and lay them on the floor. Slice the pieces together, Pushing down on the buttons.

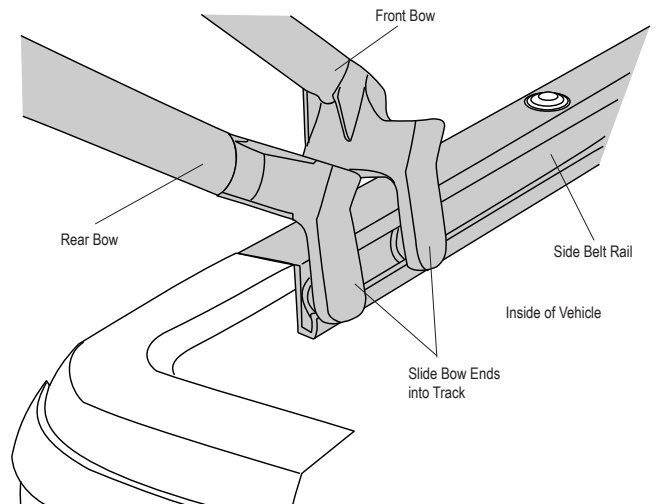
Note: It may be helpful to use a flat screwdriver to push buttons down while sliding bow halves together.



Note: It may be helpful to have two people to slide both sides of the bow assembly forward at the same time.

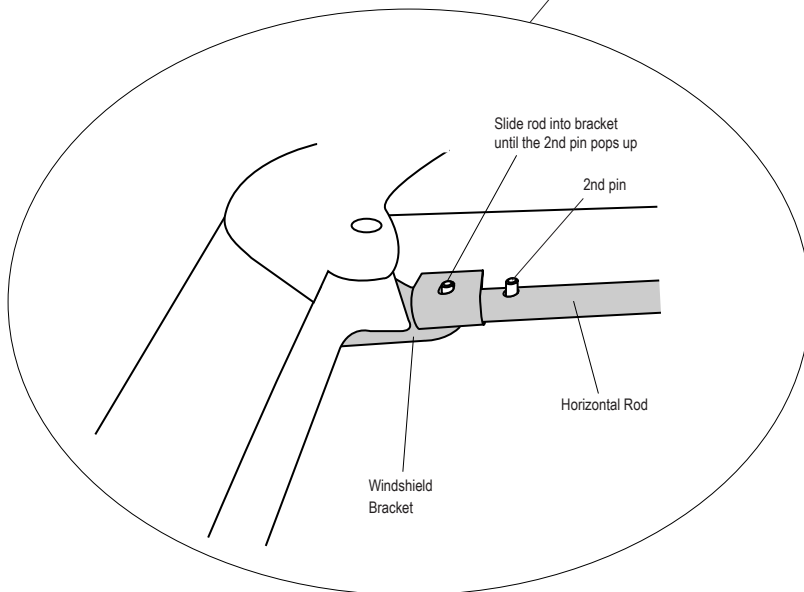
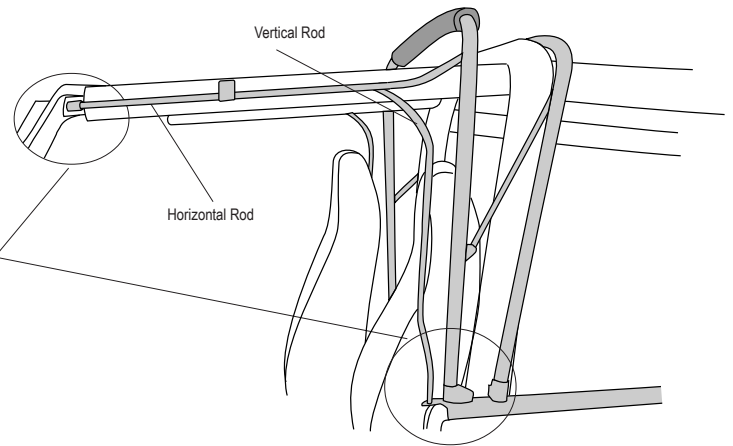
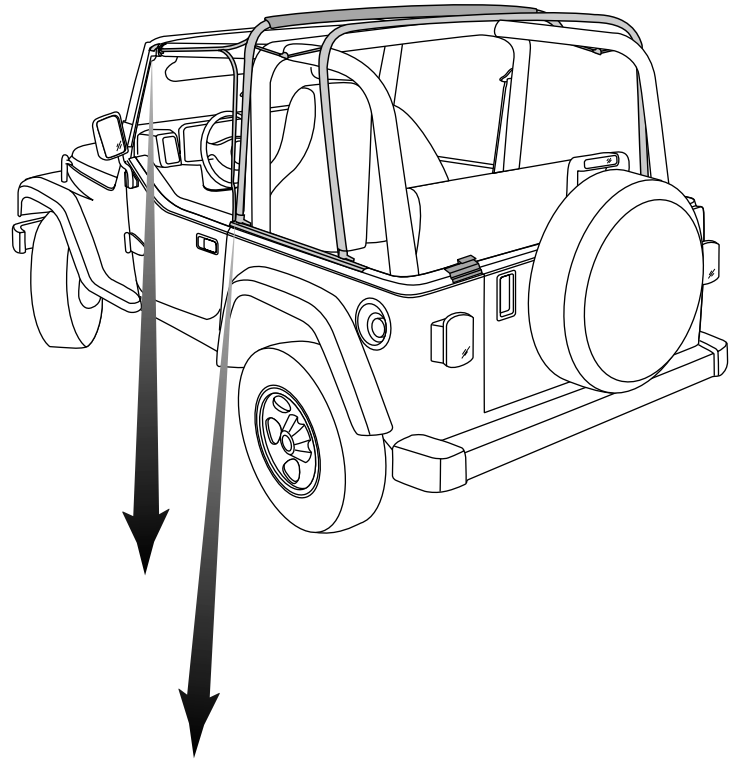
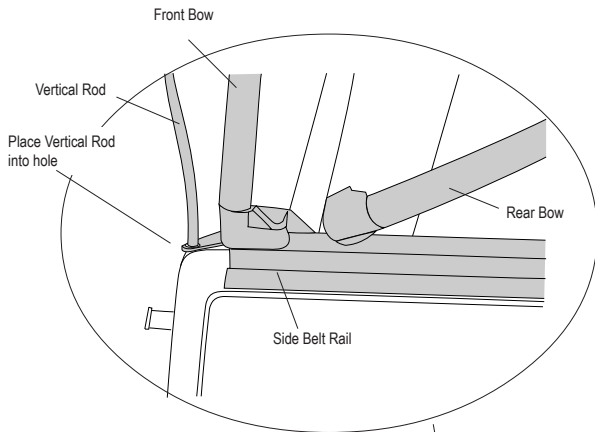
Step Five

Slide the ends of the front and rear bows into the tracks in the Side Belt Rails on each side of the vehicle. Start from the rear of the vehicle and slide the bow assembly toward the front.



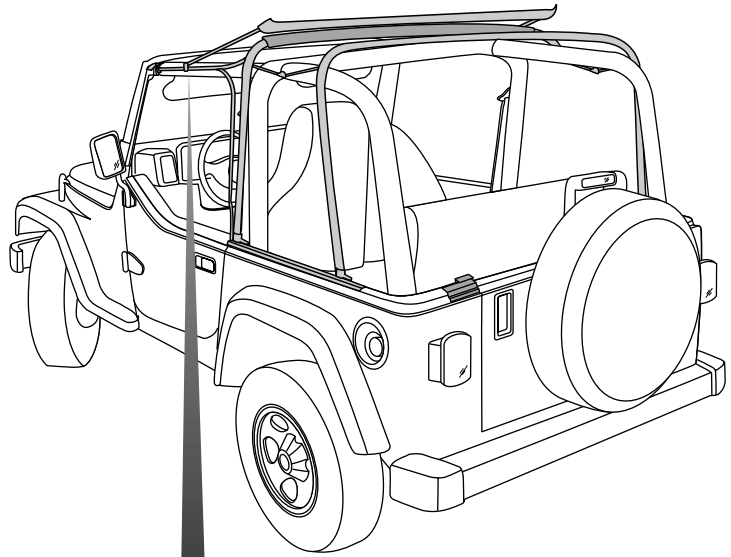
Step Six

Place the bottom of the Vertical Rod on the Bow Assemble into the hole at the front of the Side Belt Rail.



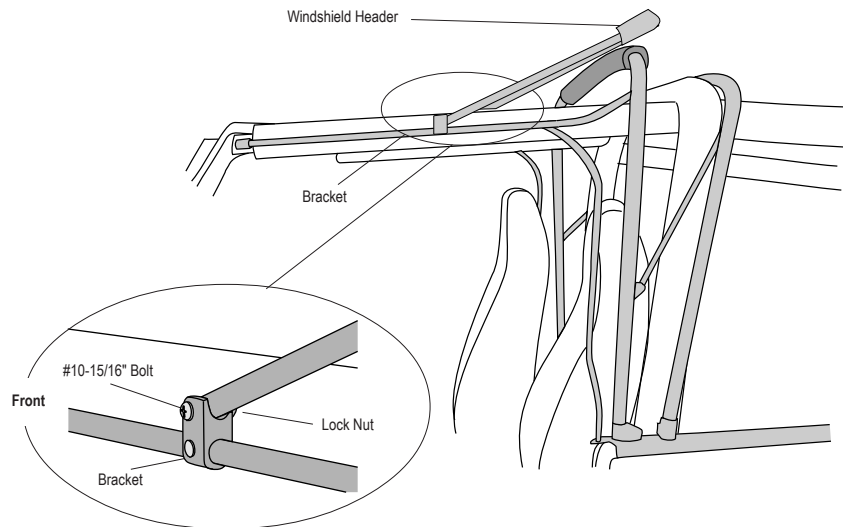
Step Seven

Slip the end of the Horizontal Rod into the tube on the Windshield Bracket. Push the first Spring Button through the tube until the second Spring Button on the rod pops up through the hole in the Windshield Bracket.



Step Eight

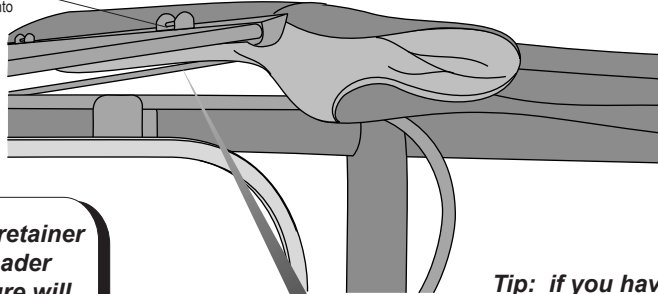
Orient the Windshield Header on the vehicle. Lay the header on top of the bows with the snap studs facing up. Place the legs of the header into the bracket above the door opening on each horizontal rod. Install the legs in the brackets with a #10- 15/16" Bolt and Lock Nut on each side.



Step Nine

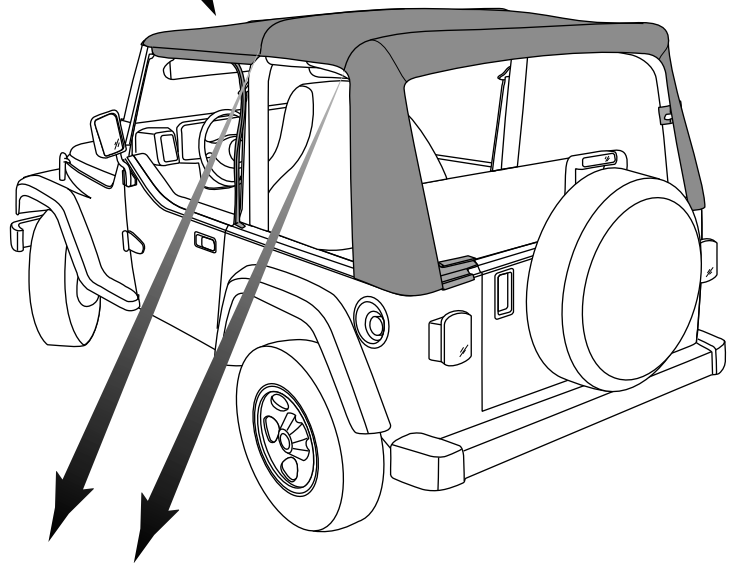
Pull the deck up over the center bow to the Windshield Header Assembly. Open the Sun Roof and stand inside the vehicle to access the front of the assembly. Wrap the front edge of the Top Fabric around the front edge of the Windshield Header Assembly. Make sure that the fabric is centered on the header by starting at the center and working your way out. Press the plastic retainer along the front of the top into the channel on the header until it **snaps** into the channel. The ends of the plastic retainer extend about 1/2" over each side.

Wrap Fabric around Windshield Header and snap plastic retainer into channel in header.



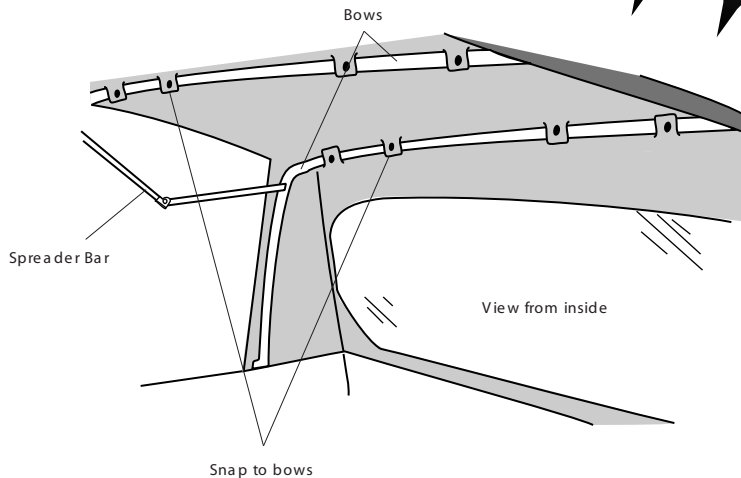
Note: Make sure the plastic retainer is snapped firmly into the Header channel. The Sun Roof feature will not work properly if the retainer is not securely installed.

Tip: if you have trouble with attaching the retainer, move the header assembly to a 90° angle and try again.



Step Ten

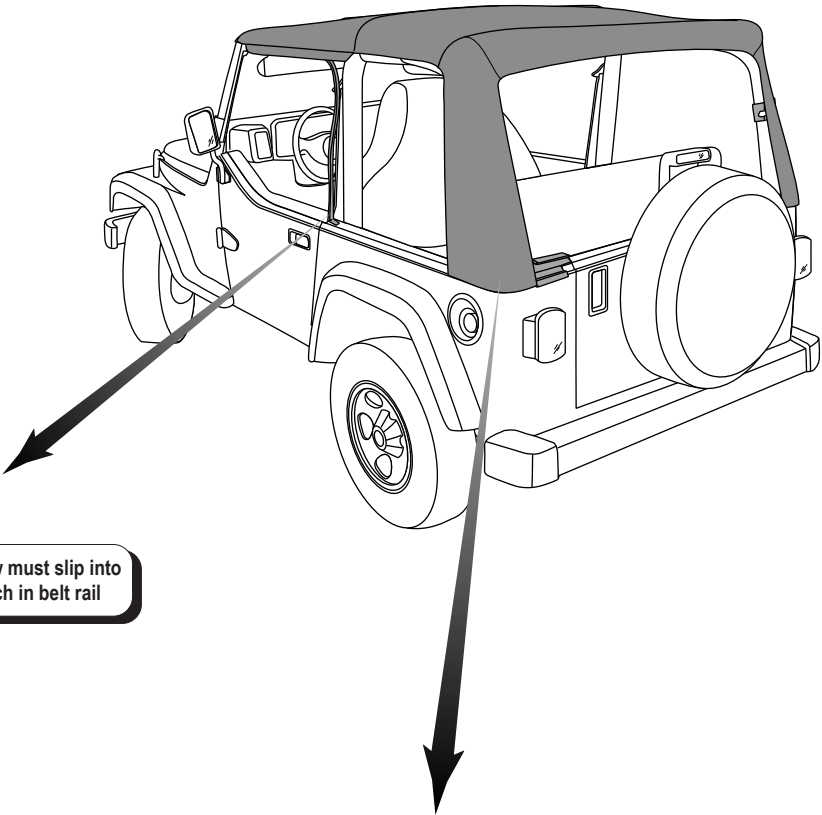
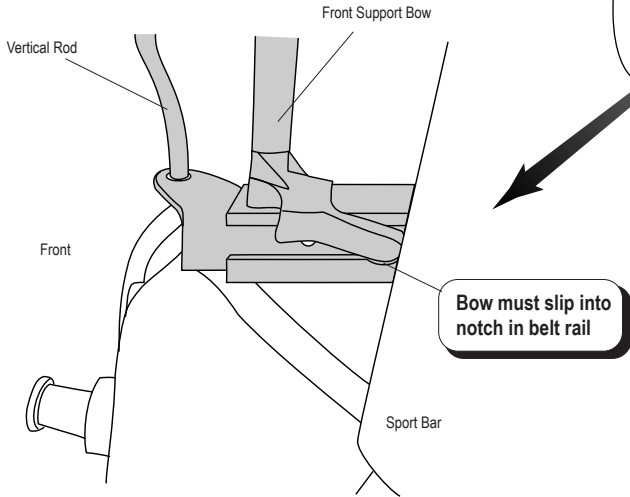
Locate the top and orient it over the bows of the vehicle. Snap the flaps to bows.



Note: Make sure the spreader bars are in a lowered position. This will ease installation.

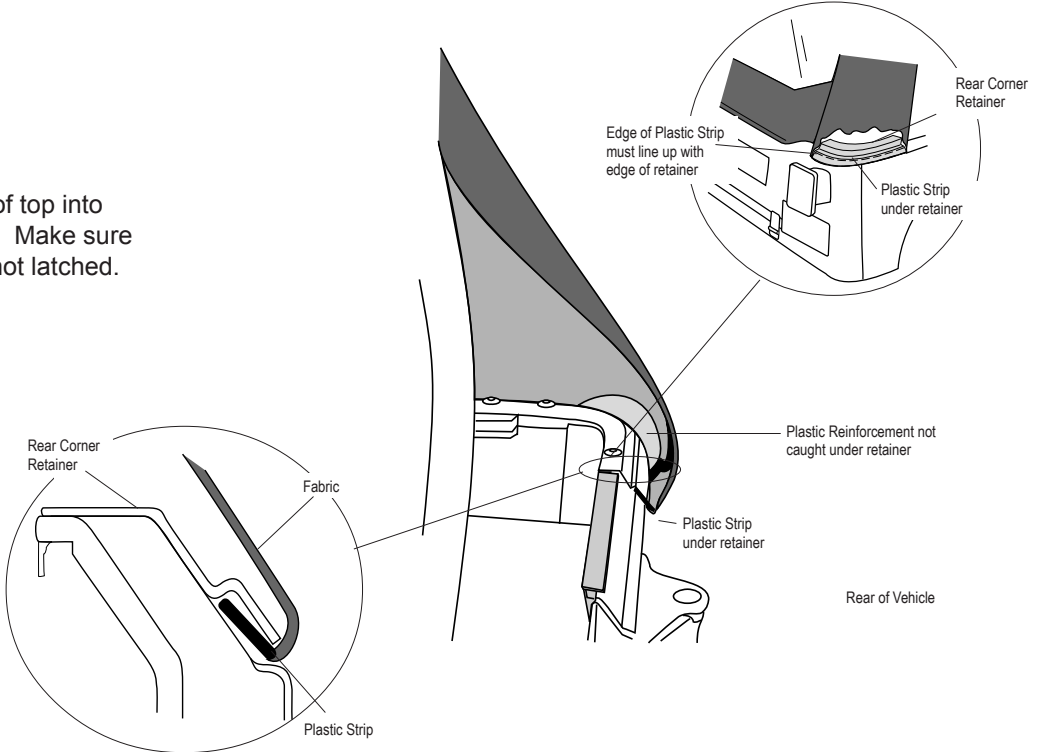
Step Eleven

Push front support bow firmly all the way forward. The clearance between the Sport Bar and Front Bow may be tight.



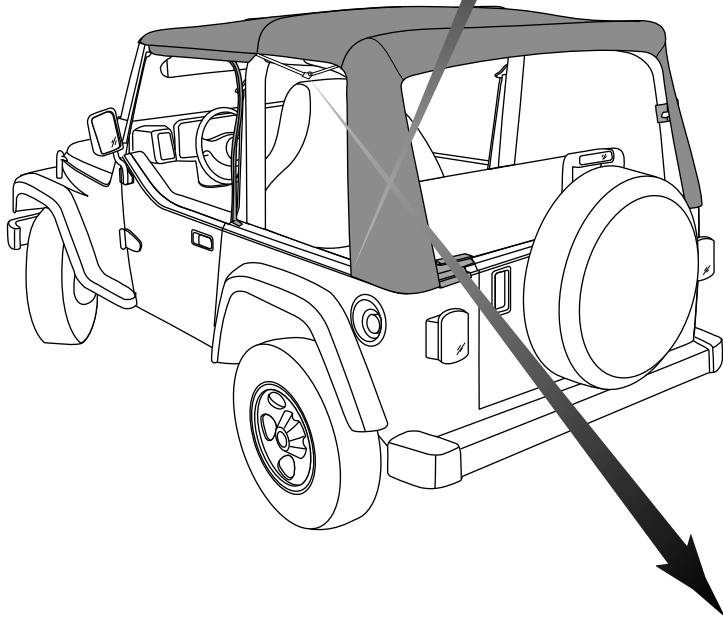
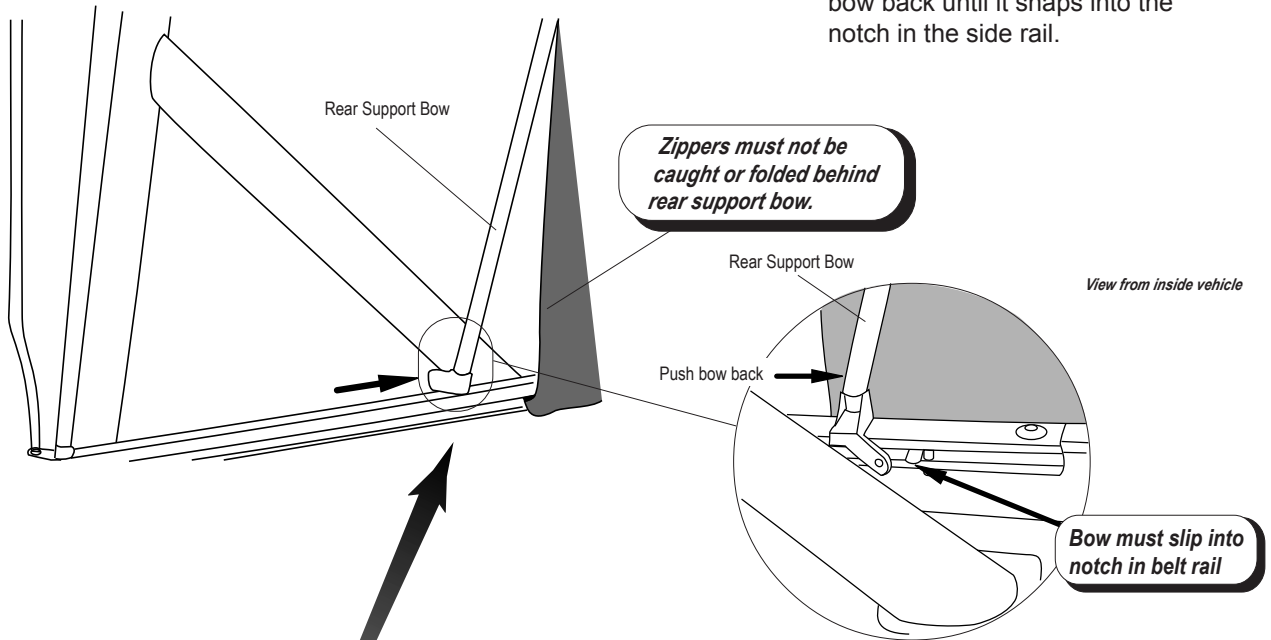
Step Twelve

Insert rear corners of top into rear corner retainer. Make sure the front header is not latched.



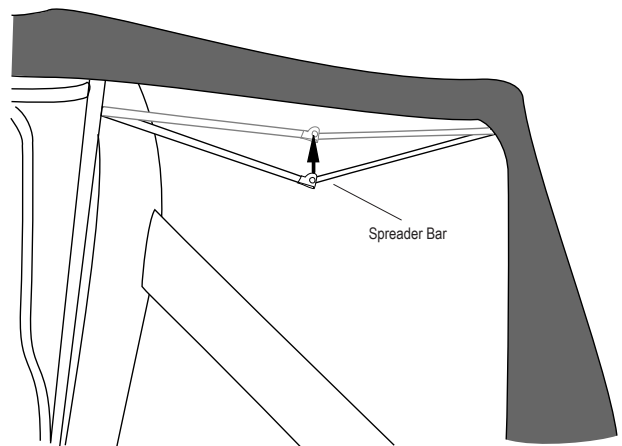
Step Thirteen

Pull the bottom of the rear support bow back until it snaps into the notch in the side rail.



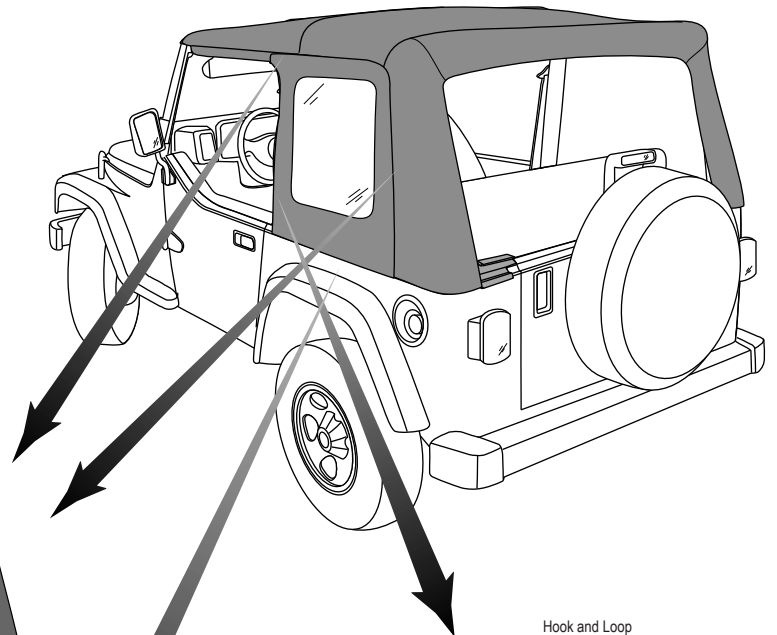
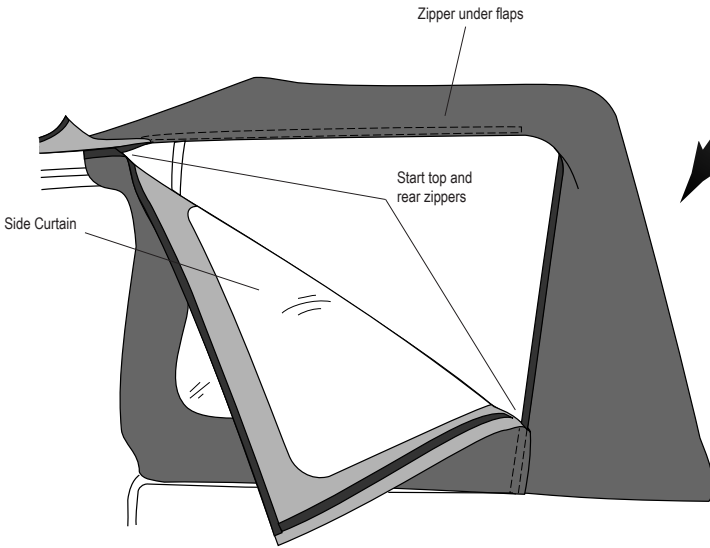
Step Fourteen

Push in the two snap buttons on the spreader bar and raise the bar into position. Release the snap buttons to lock the bar in place.



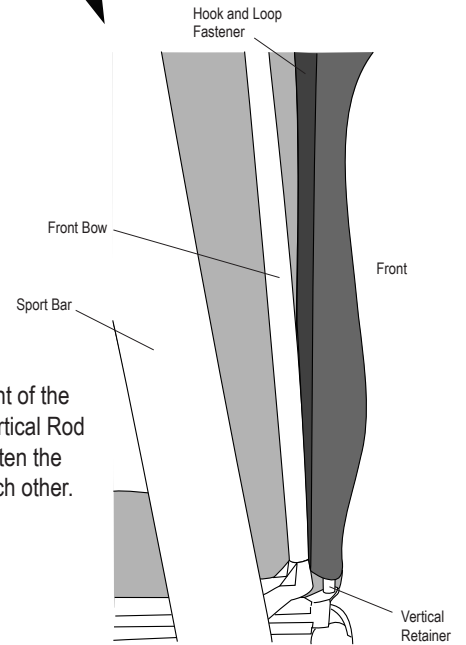
Step Fifteen

Start top and rear zippers on side curtain 2-3 inches.

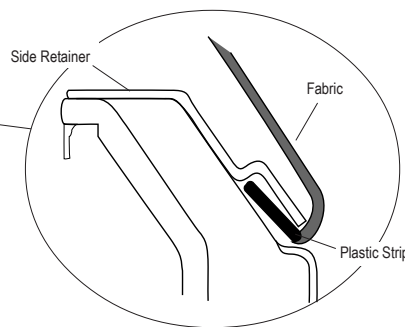
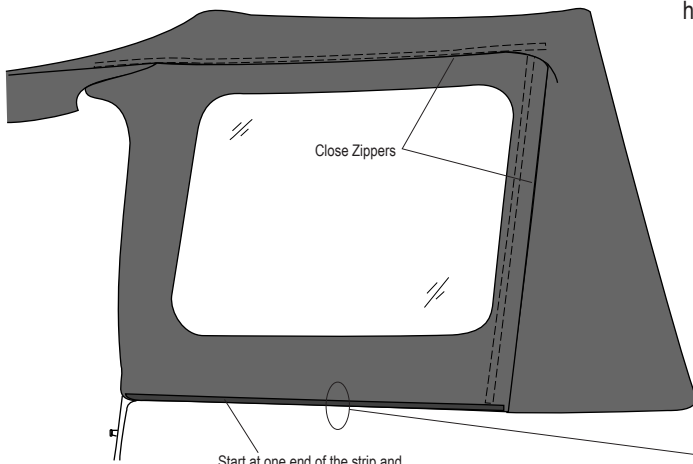


Step Sixteen

Wrap fabric flap on the front of the side curtain around the Vertical Rod (not the front bow) and fasten the hook and loop strips to each other.



View from inside vehicle - Driver's Side

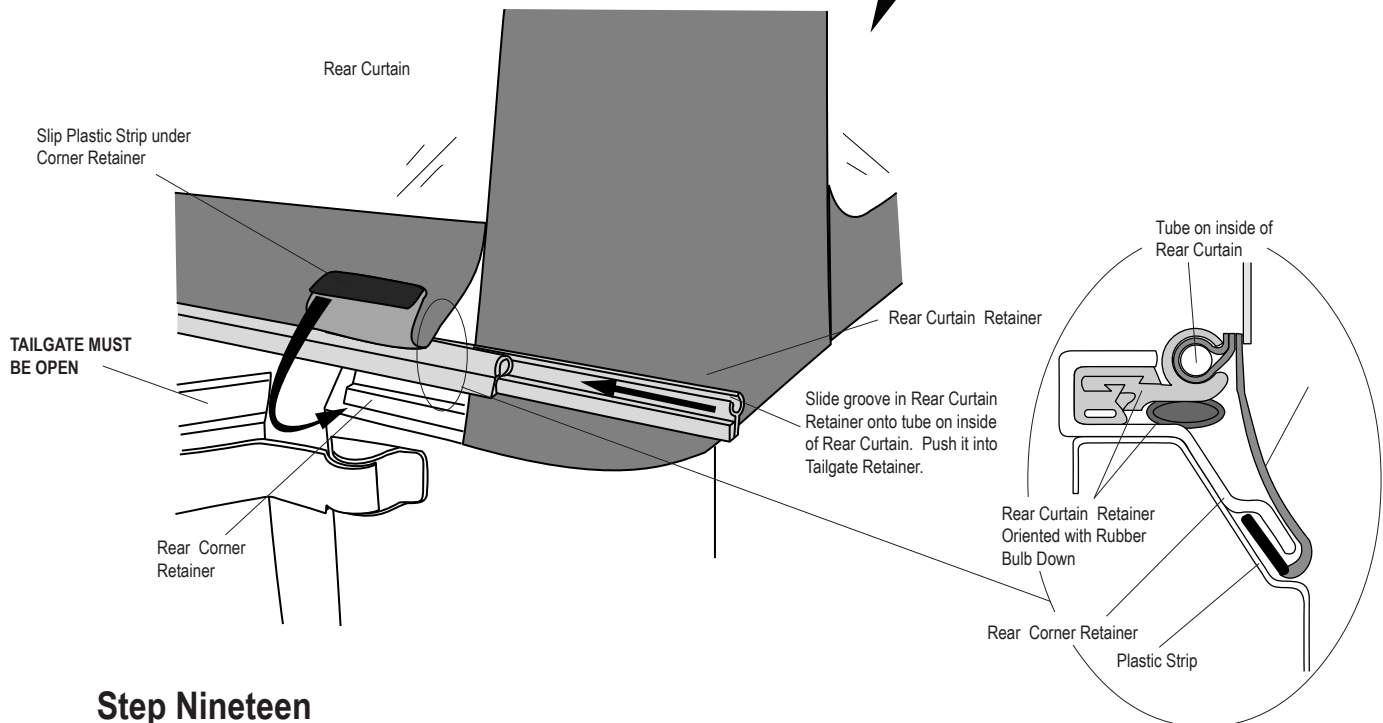
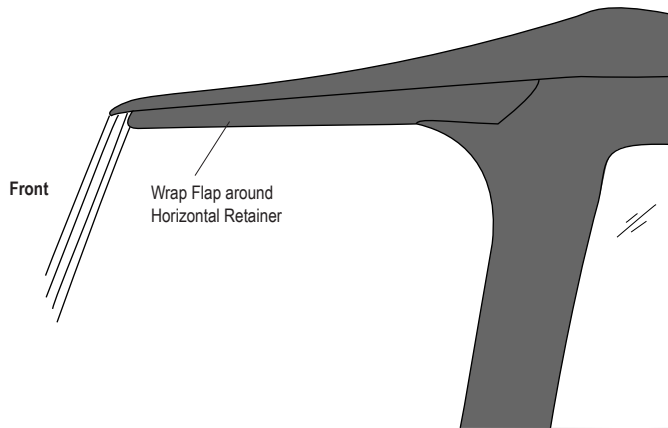
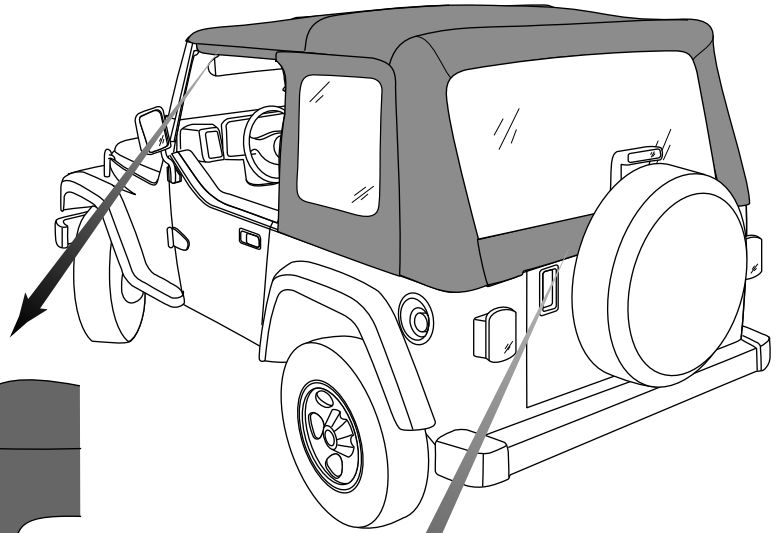


Step Seventeen

Slip the plastic strip on the bottom of the side curtain into the side retainer. Close the top and rear zippers on the side curtain.

Step Eighteen

Wrap the flap, sewn to the top above each door, around the Horizontal Rod and fasten the hook and loop strips to each other.



Step Nineteen

Open the tailgate. Orient the Rear Curtain Retainer with the rubber bulb facing down, in order to form a seal with the top of the tailgate. Slide the groove in the Rear Curtain Retainer onto the tube inside the bottom of the Rear Curtain. Roll the Rear Curtain Retainer into the top of the Corner Belt Rail. Slip the plastic on the bottom of the corners under the bottom of the Corner Belt Rail. Close the rear curtain zippers.

Adjusting the Top

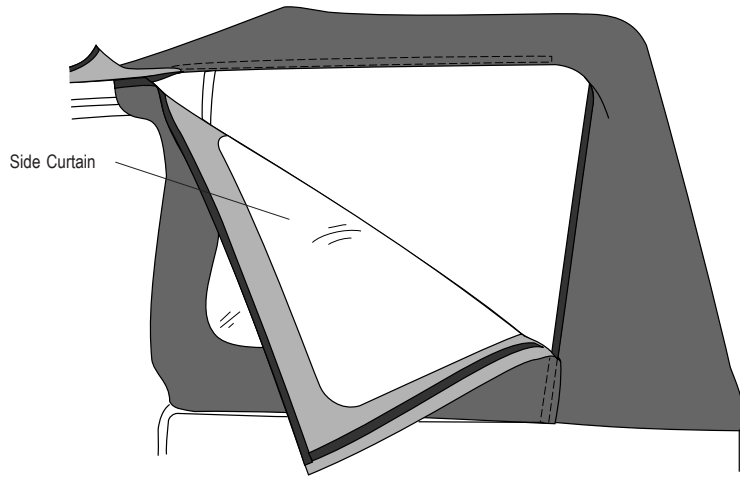


WARNING

When operating the vehicle without the Side Curtains, the Rear Curtain should be removed for proper ventilation.

Side Curtains

To remove the Side Curtains unzip the rear and top zippers. Release the plastic strip from the retainer. Release the Hook and Loop Fasteners from around the Vertical Retainer.



Opening the Sun Roof

Release the Windshield Header Latches and fold the Windshield Retainer back so that it rests on the center bow and the sport bar.

Removal of Soft Top for Open Air Driving

When operating the vehicle with the fabric top removed, it is very important that the supporting hardware system be disconnected from the windshield bracket and folded flat to the rear of the vehicle. Wrap the elastic straps around the bows and insert the plastic strip into the side belt rail. Never operate the vehicle with the fabric removed and the hardware in the fully erected position.

Care and Maintenance of your Flip Top

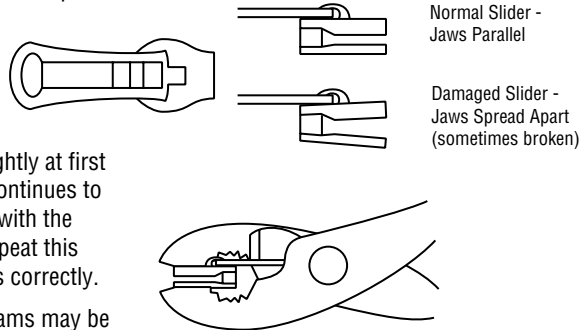
Your top is made of the finest materials available. To keep it looking new and for the maximum possible wear, it will need periodic cleaning and maintenance.

Washing: The top fabric should be washed often using soap, warm water and a soft bristle brush. Rinse with clear water to remove all traces of soap.

Windows: Keep windows clean to avoid scratching. DO NOT use a brush on the windows! Wash with a watersoaked cloth or sponge and a mild dishwashing detergent. NEVER WIPE THE WINDOWS WHEN THEY ARE DRY. Be careful when cleaning snow or frost from the vinyl windows since they are easily scratched and may crack at low temperatures. DO NOT roll the sides or rear window in cold weather. The windows become stiff and will crack.

Zippers: Keeping the zipper cleaned and lubricated with a silicone lubricant will help prevent damage and keep the zippers in a smooth working condition. If a zipper opens behind the slider, the slider may have been spread apart.

This problem can usually be repaired by using an ordinary pair of pliers to bring the sides back into parallel. Return slider to the end of the zipper in the normal Open position. Squeeze lightly at first and test the zipper. If the zipper continues to remain open squeeze more firmly with the pliers and try the zipper again. Repeat this procedure until the zipper operates correctly.



Water: Seeping through at the seams may be stopped by applying 3-M Scotchgard® on the inside of the seams. Rips in the fabric may be repaired with Bondex® iron on patches. Iron the patches to the Inside of the top, carefully following the Bondex® instructions.

Snaps: Keep snaps cleaned and lubricated with silicone to help prevent snaps from sticking to the studs. If a snap does become stuck to a stud, use a screwdriver and GENTLY pry apart to prevent permanent damage to the snap or the top fabric.

LIMITED WARRANTY

We warrant our product to be free from defects in material and workmanship, for the terms specified below, provided there has been normal use and proper maintenance. This warranty applies to the original purchaser only. All remedies under this warranty are limited to the repair or replacement of any item or items found by the factory to be defective within the time period specified.

If you have a warranty claim, first you must call our factory at the number below for instructions. You must retain proof of purchase and submit a copy with any items returned for warranty work. Upon completion of warranty work, if any, we will return the repaired or replaced item or items to you freight prepaid. Damage to our products caused by accidents, fire, vandalism, negligence, misinstallation, misuse, Acts of God, or by defective parts not manufactured by us, is not covered under this warranty.

THE WARRANTY TIME PERIOD IS AS FOLLOWS: ALL "SOFT GOODS" MANUFACTURED BY OUR COMPANY (USING PRIMARILY VINYL, PLASTICS, AND/OR FOAM): ONE YEAR FROM DATE OF PURCHASE.

ANY IMPLIED WARRANTIES OF MERCHANTABILITY AND/OR FITNESS FOR A PARTICULAR PURPOSE CREATED HEREBY ARE LIMITED IN DURATION TO THE SAME DURATION AND SCOPE AS THE EXPRESS WRITTEN WARRANTY. OUR COMPANY SHALL NOT BE LIABLE FOR ANY INCIDENTAL OR CONSEQUENTIAL DAMAGE.

Some states do not allow limitations on how long an implied warranty lasts, or the exclusion or limitation of incidental or consequential damages, so the above limitations or exclusions may not apply to you.

This warranty gives you specific legal rights, and you may also have other rights which vary from state to state.

For further information or request for warranty work, please contact: Customer Service
(877)638-9509

All or a portion of this product may have been produced in China.