



A division of SPX Corporation
655 Eisenhower Drive
Owatonna, MN 55060-0995 USA
Phone: (507) 455-7000
Tech. Serv.: (800) 533-6127
Fax: (800) 955-8329
Order Entry: (507) 455-1480
Fax: (800) 283-8665
International Sales: (507) 455-7223
Fax: (507) 455-7746

Form No. 106070

Operating Instructions
for:

7826

Ford Truck Torsion Bar Tool

CAUTION: To prevent personal injury,

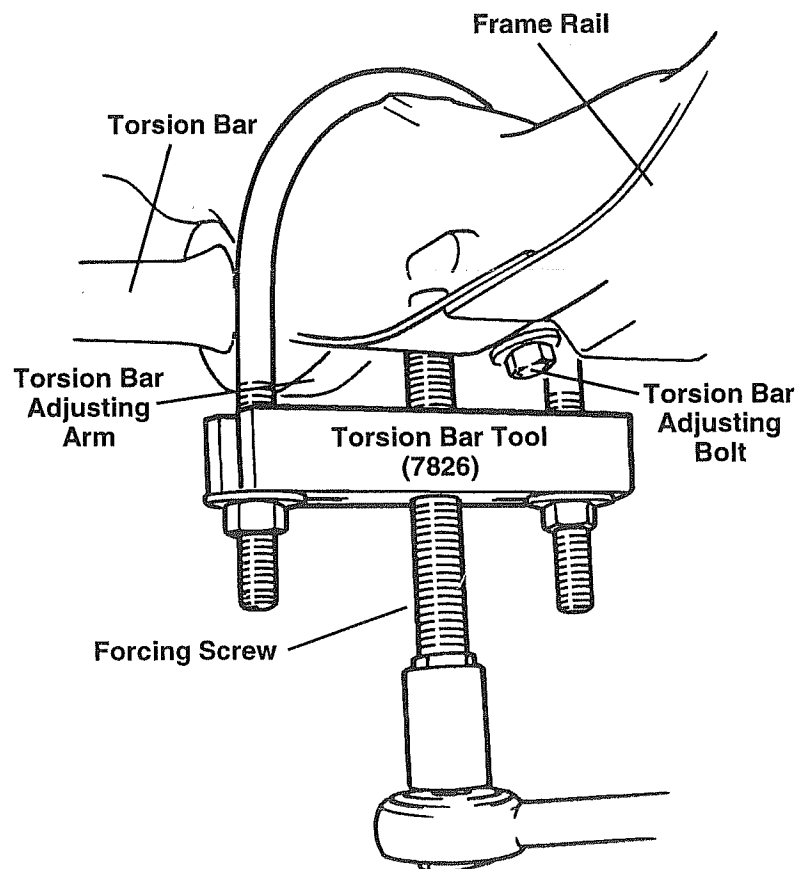
- Wear eye protection that meets ANSI Z87.1 and OSHA requirements.
- The torsion bar is under pressure, creating a potentially dangerous situation; completely release pressure before servicing the torsion bar.

Removal

1. Assemble the Torsion Bar Tool (No. 7826) around the vehicle frame rail with the forcing screw snug against the torsion bar adjusting arm.
2. Tighten the forcing screw one complete turn to take some pressure off the torsion bar adjusting bolt.
3. Loosen or remove the adjusting bolt while counting the number of turns required. This helps identify the original position of the adjusting bolt.
4. Remove the tool, and perform the required service.

Installation

1. Assemble the tool around the vehicle frame rail with the forcing screw against the torsion bar adjusting arm.
2. Tighten the forcing screw to draw the torsion bar adjusting arm into the frame rail.
3. Install the torsion bar adjusting bolt using the same number of turns recorded in Step 2 during removal.
4. Remove the tool.
5. Refer to the vehicle service manual for the correct trim height and alignment specifications.



Sheet No. 1 of 1

Issue Date: 9-20-96