

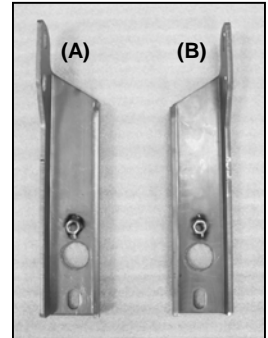
INSTALLATION INSTRUCTIONS

BULL BAR

07 CHEVY SUBURBAN ¾" TON 4x4
PART NUMBER 82501.04/82001.04

PARTS LIST:

1	Grille Guard	4	12mm Flat Washers
1	Driver Side Mounting Bracket (A)	4	12mm Lock Washers
1	Passenger Side Mounting Bracket (B)	4	12-1.75mm x 30mm Hex Head Bolts
2	12mm Nut Plates	4	12mm Nylock Nuts
4	12-1.75mm x 35mm Hex Head Bolts	8	12mm Flat Washers



PROCEDURE:

1. REMOVE CONTENTS FROM BOX. VERIFY ALL PARTS ARE PRESENT. READ INSTRUCTIONS CAREFULLY BEFORE STARTING INSTALLATION.
2. **NOTE:** It may be necessary to remove/relocate front license plate and license plate bracket. It is not required, but strongly recommended. If local/state law requires a license plate, license plate relocation kit #70000 is available.
3. From underside of vehicle, remove tow hooks. **NOTE:** Tow hooks may not be mounted in conjunction with the Bull Bar.
4. Insert driver side Mounting Bracket into front of frame (Figure 1).
5. Align holes on the Mounting Brackets with holes on the frame. Partially thread (1) 12mm x 35mm Hex Head Bolt, (1) 12mm Lock Washer, and (1) 12mm Flat Washer through factory front hole on the frame and into welded nut on the Mounting Bracket (Figure 2). Do not tighten at this time.
6. Insert (1) 12mm Nut Plate through larger center hole on the frame and onto rear factory hole. Align Nut Plate with rear factory hole.
7. Secure rear side of Mounting Bracket by inserting (1) 12mm x 35mm Hex Head Bolt, (1) 12mm Lock Washer, and (1) 12mm Flat Washer through rear factory hole and into Nut Plate. Do not tighten at this time.
8. Repeat steps 3-6 for passenger side Mounting Bracket.
9. Position Bull Bar on the inner side of Mounting Brackets. Attach Bull Bar to Mounting Brackets using the included (4) 12mm x 30mm Hex Head Bolts, (4) 12mm Nylock Nuts, and (8) 12mm Flat Washers. Do not tighten at this time.
10. Level and adjust Bull Bar as desired, then tighten all hardware at this time.
11. Do periodic inspections to the installation to make sure that all hardware is secure and tight.

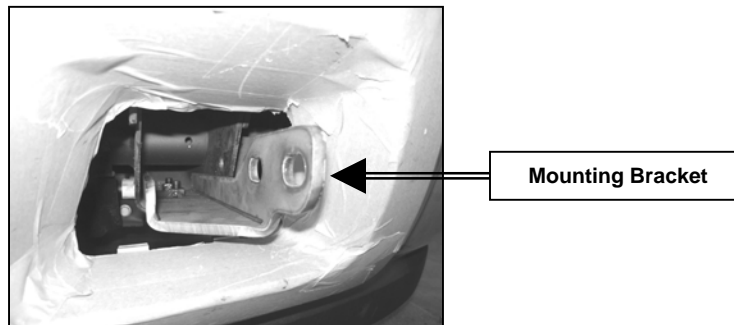


Figure 1

(Driver Side Mounting Bracket Installation Shown)

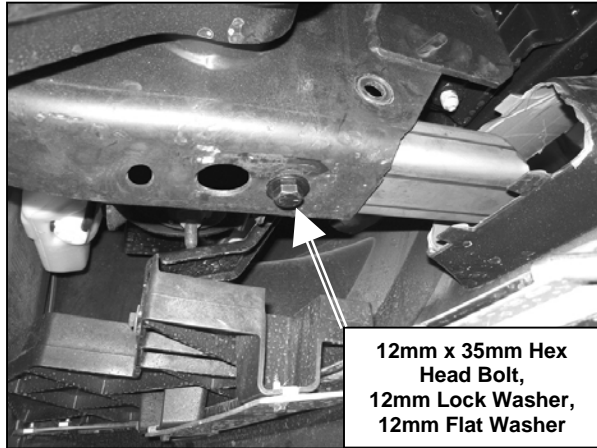


Figure 2

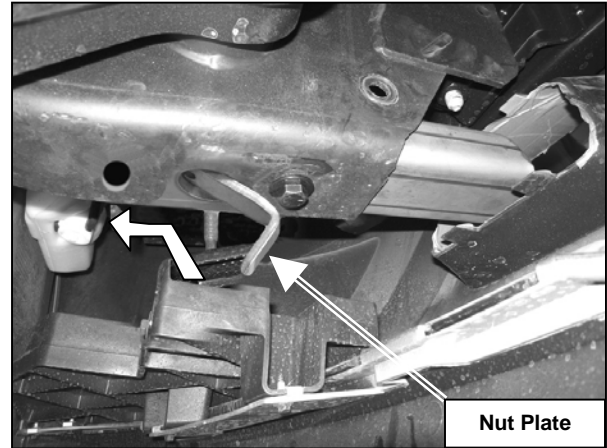


Figure 3

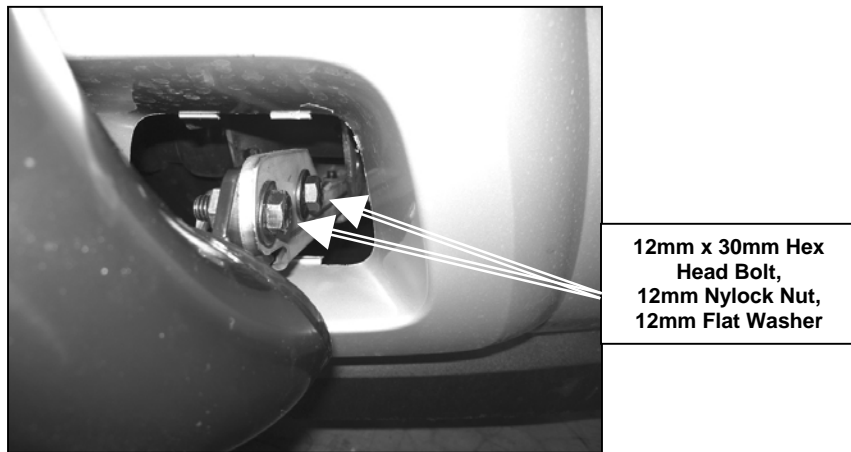


Figure 4



Figure 5