

Installation Instruction

Bull Bar Part #82501.14/82001.14 FORD F150 04-06 (EXCL. HERITAGE EDITION)

<u>QTY.</u>	<u>CONTENT</u>
1	BULL BAR
2	BRACKETS-PASSENGER & DRIVER SIDE
4	BOLT PLATE
4	M12 Hex Nut, Zinc Plated
4	M12 Flat Washer, Zinc Plated
4	M12 Lock Washer, Zinc Plated
8	M10*30mm Hex Head Bolt, Zinc Plated
14	M10 Flat Washer, Zinc Plated
6	M10 Hex Nut, Zinc Plated
8	M10 Lock Washer, Zinc Plated

STEP 1 REMOVE CONTENTS FROM BOX AND VERIFY ALL PART ARE PRESENT. READ INSTRUCTIONS COMPLETELY BEFORE BEGINNING.

STEP 2 IT MAY BE NECESSARY TO REMOVE/RELOCATE FRONT LICENSE PLATE AND LICENSE PLATE BRACKET. IT IS NOT REQUIRED, BUT SRONGLY RECOMMENDED.

VEHICLES WITH TOW HOOKS

STEP 3 REMOVE TOW HOOKS BY REMOVING FRONT AND REAR BOLTS. NOTE: TOW HOOKS WILL NOT BE RE-INSTALLED . MAKE SURE BOLT PLATE IN FRAME STAYS ALIGNED WITH HOLES.

STEP 4 POSITION BOTTOM BRACKET UP TO BOTTOM OF FRAME AND REPLACE TOW HOOK BOLTS. SEE FIGURE 2. GO TO STEP 6.

VEHICLE WITHOUT TOW HOOKS.

STEP 3 INSERT TWO BOLT PLATES THROUGH THE END OF THE FRAME AND INTO BOTTOM FRAME HOLES. NOTE: IT MAY BE NECESSARY TO REMOVE THE LOWER PLASTIC PORTION OF THE BUMPER TO GAIN ACCESS TO ENDS OF THE FRAME RAILS. THE INDENTED POCKETSIN THE LOWER BUMPER WILL NEED TO BE CUT OUT TO ALLOW BOTTOM BRACKETS TO PASS THROUGH. SEE FIGURE 2.

5. ATTACH BULL BAR TO BRACKETS USING 3/8" FASTENERS AS SHOWN. LEVEL AND ADJUST BULL BAR AS DESIRED. TORQUE TOW HOOKS BOLTS TO 75 FT. LBS. AND 1/2" FASTENERS TO 65 FT.LBS; 10MM FASTENERS TO 35 FT.LBS. AND 3/8" FASTENERS TO 30 FT. LBS.

Part #82501.14/82001.14

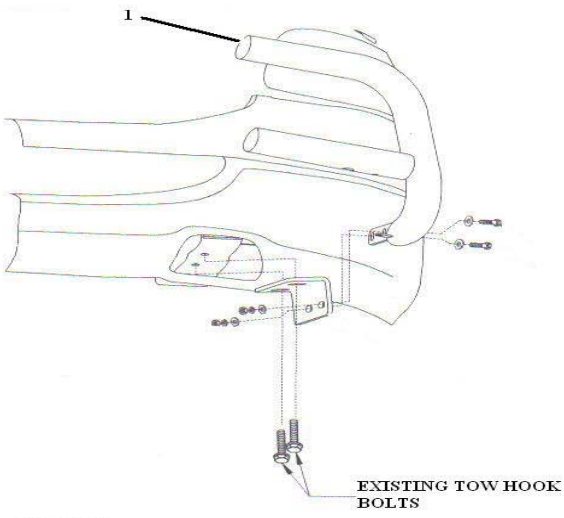


FIGURE 2

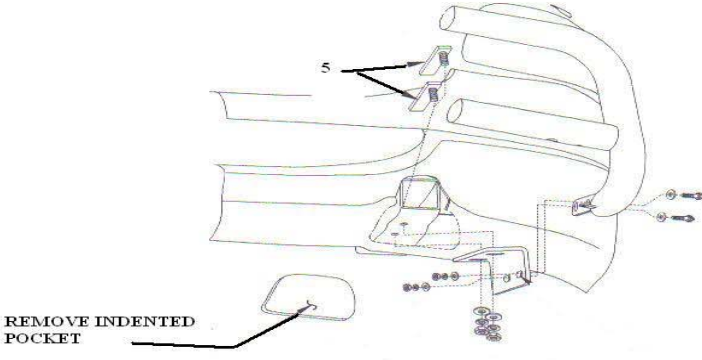


FIGURE 3